



MULTI-FUNCTIONAL FLAT PANEL DISPLAY MOUNT
INSTALLATION GUIDE

Model 141



TV Display Size Range: 10" to 24" (254mm to 610mm)
Maximum Load Capacity: 33lbs (15kgs)



TOOLS REQUIRED:

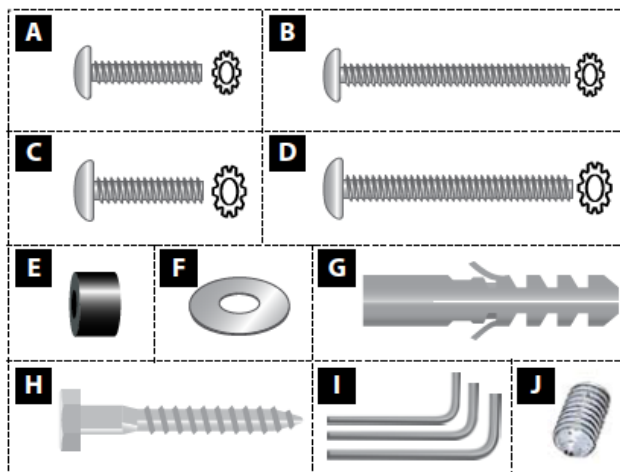
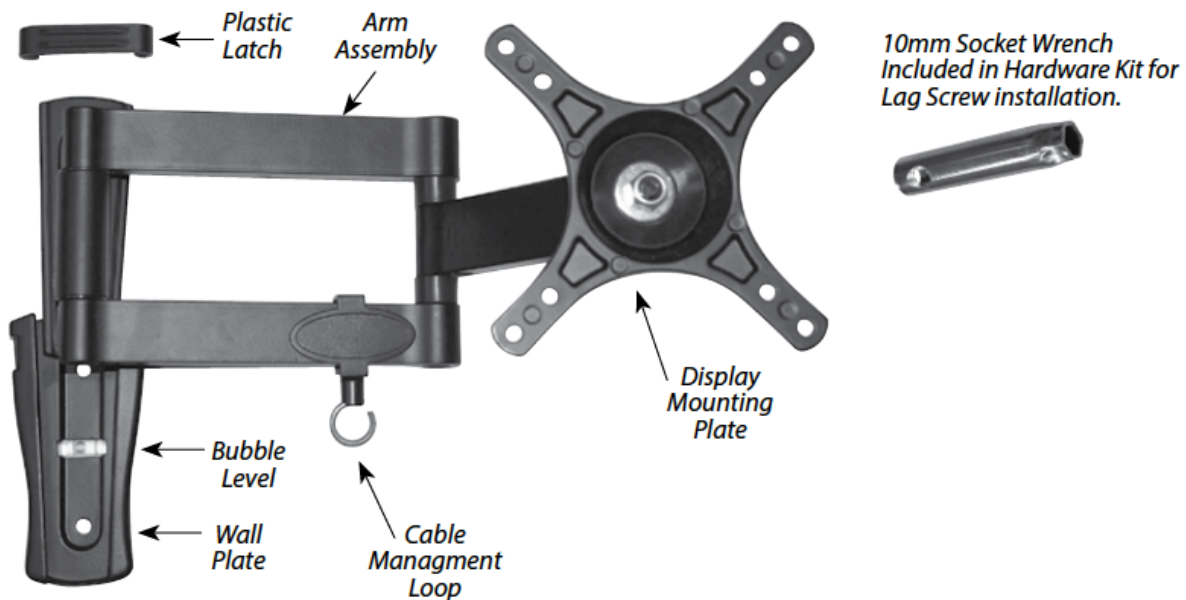
- Cordless or Electric Drill
- 4.5mm (3/16") Drill Bit for Drywall/Wood Stud Installation
- 10.5mm (7/16") Drill Bit for Concrete/Masonry Installation
- Socket Wrench with 10mm Socket
- High Quality Stud Finder
- Long & Regular Phillips Head Screwdrivers
- Safety Goggles
- Measuring Tape
- Level
- Pencil

Read all instructions carefully before installation.

The installer of this product must verify that the mounting surface, ceiling or wall will safely support the combined weight of all attached equipment and hardware. Improper mounting installation and/or exceeding recommended TV weight can result in damage to the TV and may cause injury or death. This product is not intended to hold more than the maximum weight advised on the packaging. If you do not understand these directions, or have any doubts about the safe installation of your television mount please contact a professional installer to install it for you.

Hardware Kit/Mount Parts

Actual appearance may differ from illustration shown here.



ID	QTY	DESCRIPTION
A	4	M4x12mm Bolt & Lock Washer
B	4	M4x25mm Bolt & Lock Washer
C	4	M5x12mm Bolt & Lock Washer
D	4	M5x25mm Bolt & Lock Washer
E	4	Spacer
F	2	M6 Lag Screw Washer
G	2	M10.5x50mm Wall Anchor
H	2	M6x60mm Lag Screw
I	3	2x2, 4x4, 5x5 Allen Wrench
J	1	Hex Set Screw

Note: The supplied wall mounting hardware is not for use on steel stud walls or cold cinder block walls. If you are uncertain about the nature of your wall, please consult a qualified contractor. If the hardware you require is not included please contact your local hardware store.

We are not responsible for any personal injury or product damage due to mishandling, incorrect mounting, incorrect assembly or incorrect use of this product.



Important:

1. This mount is intended for use with displays weighing not more than 33lbs (15kgs). Use of a heavier display can result in property damage, serious injury or death.
 2. Make sure these instructions are read and completely understood before attempting installation. If you are unsure of any part of this installation, contact a professional installer for assistance.
 3. The wall or mounting surface must be capable of supporting the combined weight of the mount and the display; otherwise the structure must be reinforced.
 4. Safety gear and proper tools must be used. A minimum of two people are required for this installation. Failure to use safety gear and/or attempting this installation alone can result in property damage, serious injury, or death.
 5. Follow all instructions and recommendations regarding adequate ventilation and suitable locations for mounting your display. Consult your display's manual for more information.
-

Step 1: Choose a Wall Location

Select the location on a wall where your display will be installed. The best height of the wall mount is parallel to the eye level of a person who is sitting. Normally, the horizontal distance of eye level is about 4' from ground level. Go through the following list when making your choice:

- Determine the exact composition of the wall for your installation. You may need to re-think your preferred display site in order to install your mount securely in the wood stud locations available.
- Plan ahead. Make sure you have allowed for clearances once the display is mounted.
- Check the specifications of the display for any ventilation requirements.
- Make sure the display will be readily viewable in the room where it is installed.
- Make sure the installation and viewing area is and will be free of obstacles.
- Choose a location that is neither too high nor too low for viewing.
- Choose a location that is near an AC wall outlet.
- Think about the video inputs such as DVI, VGA, PC, S-video, etc. and whether these cables will be long enough to reach the display once it is mounted.
- Leave some room to the left and right of the installation location for adjustments when needed.

Using your pencil, mark the location where you want to install your mount and display. This mark will be the approximate center of the Wall Plate. Keep in mind that the most desirable location may not be the safest location. Your display should hang in a place where there is low traffic and will not endanger anyone in the event of an accident.

Step 2: Install the Wall Plate

After determining the height of the wall mount and composition of your walls, use the following installation instructions to install the wall mount to your wall – wood stud frame, or concrete/masonry.

Wood Stud Walls:

- A. Use a high quality stud finder to locate one vertical stud nearest where you want to install your mount. Mark both edges of the stud and then identify the exact center (Fig 1).



Important:

This mount can be secured to a single 2" x 4" vertical wood stud. This stud must be capable of supporting the combined weight of the mount and the display.

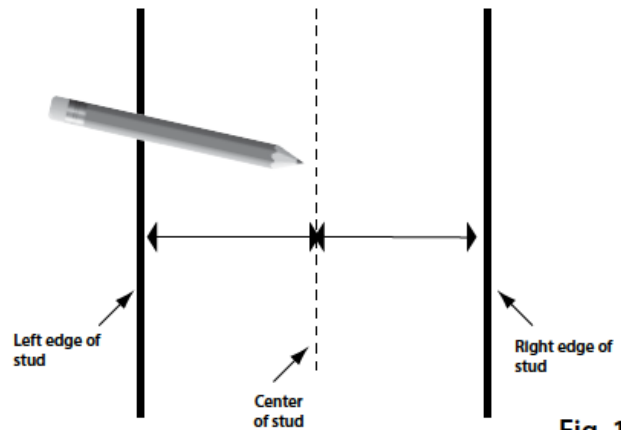


Fig. 1

- B. For an accurate installation, make sure the included bubble level is at room temperature to allow for the bubble to move freely. Based on your edge and center marks, hold the Wall Plate at the desired height as determined in Step 1. Align the Wall Plate holes over your center stud marks and level the Plate with the integrated bubble level (Fig. 2). With a pencil, mark your two drilling holes in the center of the studs through the top and bottom plate holes. Set the Wall Mounting Plate aside.
- C. Drill a pilot hole at each marked location using an electric or portable drill with a 4.5mm (3/16") bit.
- D. Hold the Wall Plate back into position over the pilot holes (Fig. 2). Check again that it's level. Use your socket wrench to install the Wall Plate with the Lag Screws (H) and Washers (F). **Do not over-tighten these screws.**



Fig. 2

Concrete or Masonry Wall:

Important:

Do not drill into mortar joints! Be sure to mount in solid parts at least 1" (25mm) from the mortar lines. It is recommended to use a standard electric drill on slow to avoid block breakage.

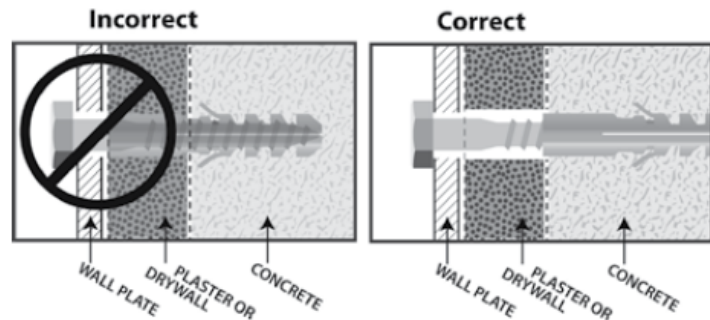


Fig. 3

- A. For an accurate installation, make sure the included bubble level is room temperature to allow for the bubble to move freely. Place the Wall Plate against the wall in the desired location and height determined in Step 1. Level it using the included bubble level.
- B. Mark the holes with a pencil for securing the mount and set the assembly aside.
- C. Drill a 2" deep hole at each of the marked locations using a 10.5mm (7/16") masonry bit. Remove any excess dust from the holes.
- D. Insert one Anchor (G) into each hole so that it is flush with the concrete surface. A hammer can be used to lightly tap the anchors into place if necessary.
- E. Hold the Wall Plate back into position over the inserted Anchors. Use your socket wrench to install the Wall Plate with the Lag Screws (H) and Washers (F) as shown in Figure 2. **Do not over-tighten these screws.**

Note: If the concrete wall is covered by a layer of plaster or drywall. The wall anchor must pass completely through the outer layer to rest flush with the concrete surface (Fig. 3).

Step 3: Attach Your Display to the Mounting Plate

Important:

Use extra care during this portion of the installation. Avoid setting your display face down if possible as it may damage the viewing surface. Protect the display surface with a towel or blanket.

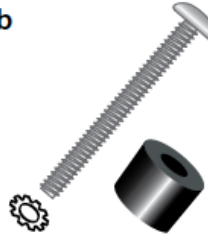
- A. Examine the back of your display. Consult your display's manual or carefully test the M4 or M5 bolts to find the right diameter and length for your display's VESA mounting holes. For the correct fit, you should not need to force the bolts. If you feel any resistance, stop immediately to avoid damaging your display and its internal components.
 - If the back of your display is flat and the mounting holes are flush with the surface, you will use the shorter (12mm) M4 or M5 bolts (Fig. 4a) from the hardware kit.
 - If the back of your display is curved or has a protrusion, or if the mounting holes are recessed, you will need to use the enclosed Spacers (E) with the longer (25mm) M4 or M5 bolts (Fig. 4b) from the hardware kit.

Fig. 4a



Use the 12mm M4 or M5 bolts, and lock washers for mounting plate to display **WITHOUT** spacers

Fig. 4b



Use the 25mm M4 or M5 bolts and lock washers for mounting plate to display **WITH** spacers. Use **ONLY** with curved or recessed display backs or those backs with protrusions

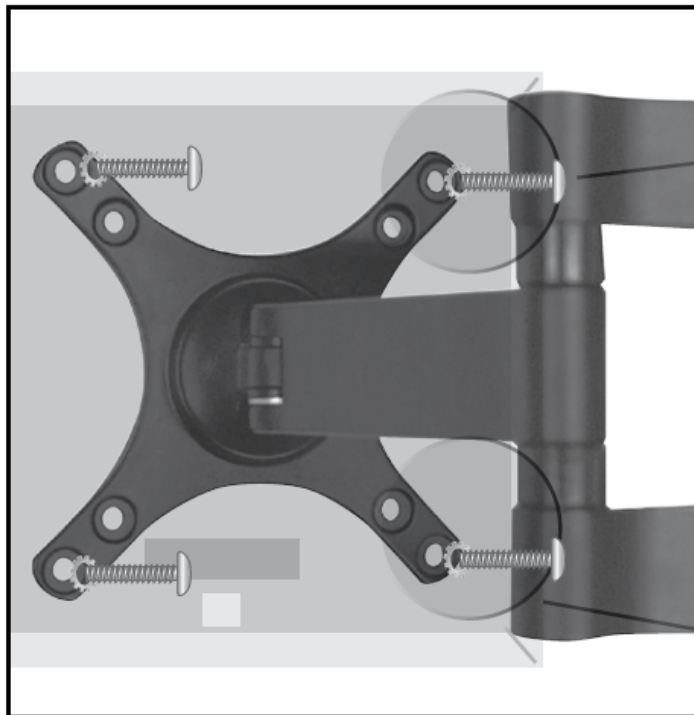
- B. Place the Display Mounting Plate on the back of your Display. Line up the holes from your display with the holes on the Mounting Plate. Attach the mount to the back of your display with your phillips head screwdriver and the hardware determined through Step A with the corresponding lock washers (Fig. 5a or Fig. 5b for mounting with spacers) **Make sure all the bolts are snug, but do not over tighten.**



Important:

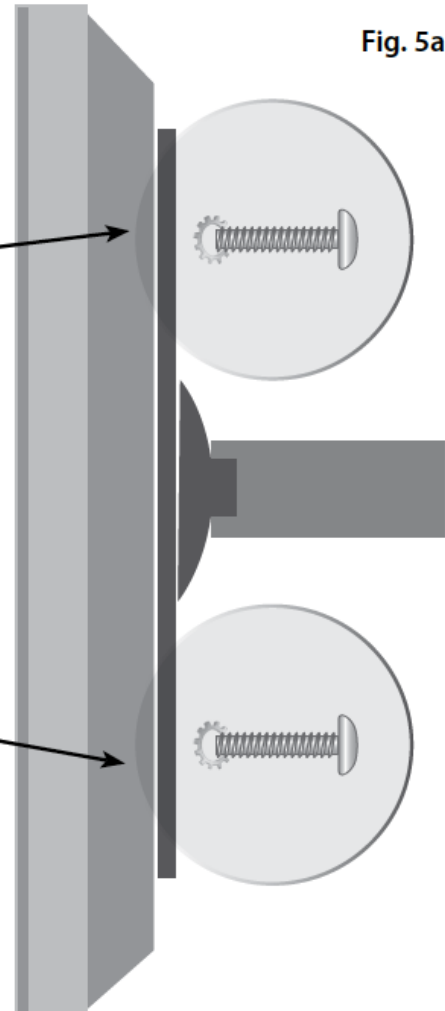
Never force bolts into display as damage may occur and **NEVER** use an electric drill to secure the bolts.

INSTALLATION FOR FLAT-BACK DISPLAYS

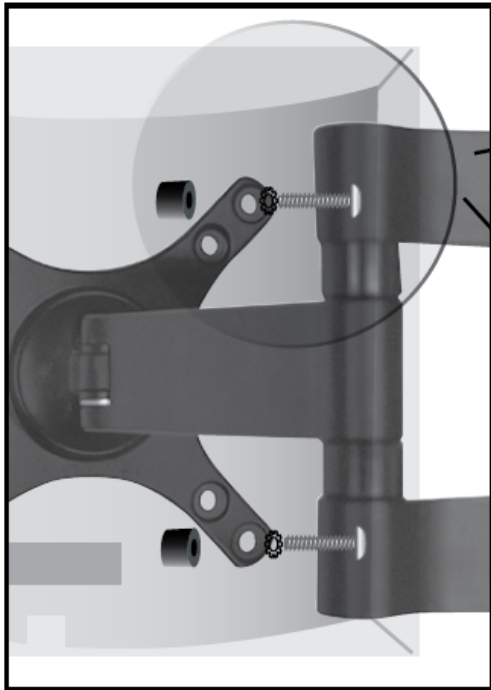


Use the 12mm M4 or M5 bolts and lock washers for mounting plate to display **WITHOUT** spacers

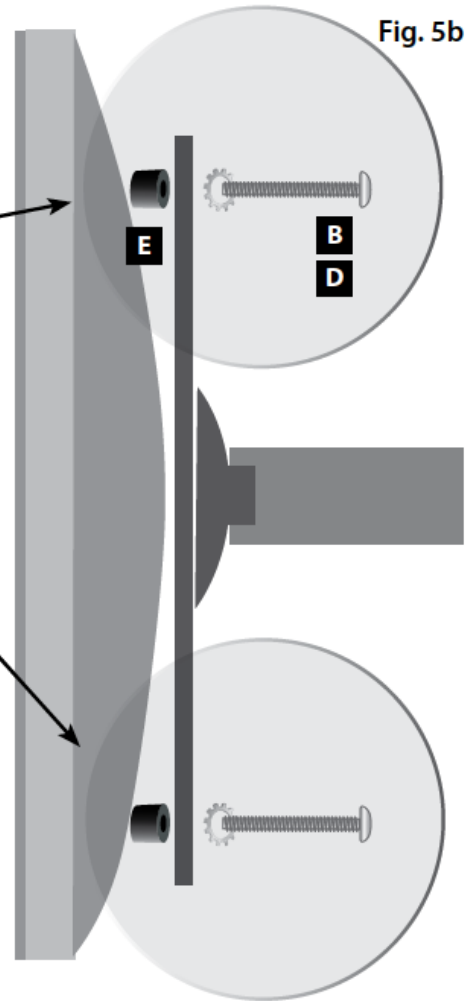
Fig. 5a



INSTALLATION FOR CURVED OR UNEVEN DISPLAY BACKS ONLY



Use the 25mm M4 or M5 bolts and lock washers for mounting plate to display *WITH* spacers. Use *ONLY* with curved or recessed display backs or those backs with protrusions



Step 4: Slide Your Mounted Display into the Wall Plate

- A. Carefully position your mounted display so that the back mounting plate for the display is in position above the Wall Plate.

Slide the plate from the display mounting portion down into the Wall Plate until the two plates are fully joined together and secure (Fig. 6).

- B. Install the Plastic Latch at the top of the Wall Plate/Display Plate mounts to secure the two pieces together. Insert the Hex Set Screw (J) into the top right of the Plastic Latch to secure the two together (Fig. 7). Use your 2x2mm Allen Wrench to secure the Set Screw.

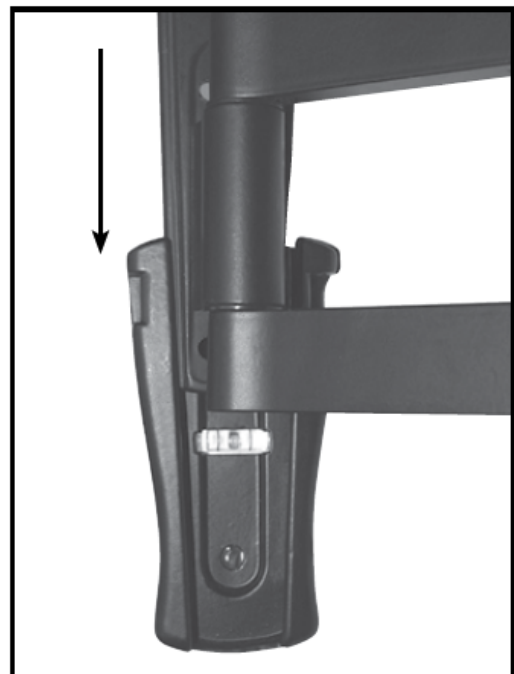


Fig. 6

Step 5: Adjusting Your Display

This mount can be adjusted for optimal viewing for a number of seating positions. Up and down tilt requires no additional Arm Assembly tightening. Hold the display firmly at the top and bottom and gently tilt the display up and down until you have reached your desired viewing angle.

Once you have moved your display into the desired left/right position and distance from the wall, tighten the internal bolts on the Arm Assembly. Use your 5x5mm Allen Wrench to tighten/loosen the internal bolt closest to your display and the 4x4mm Allen Wrench for the bolt closest to the Wall Plate (Fig. 8).

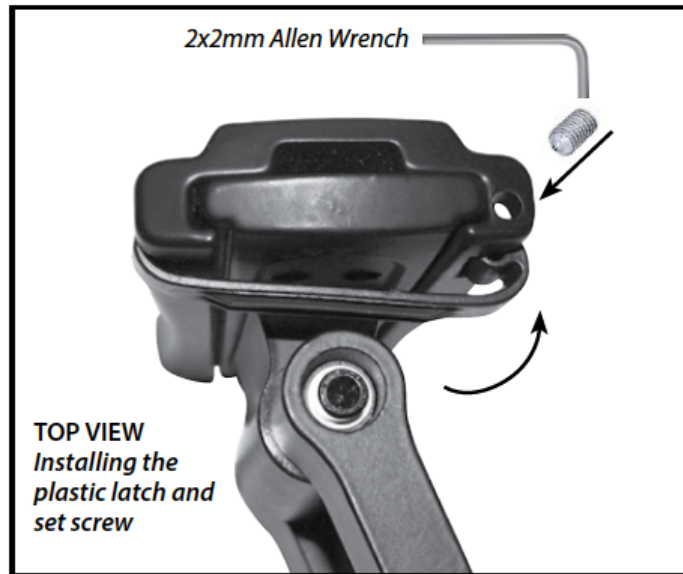


Fig. 7

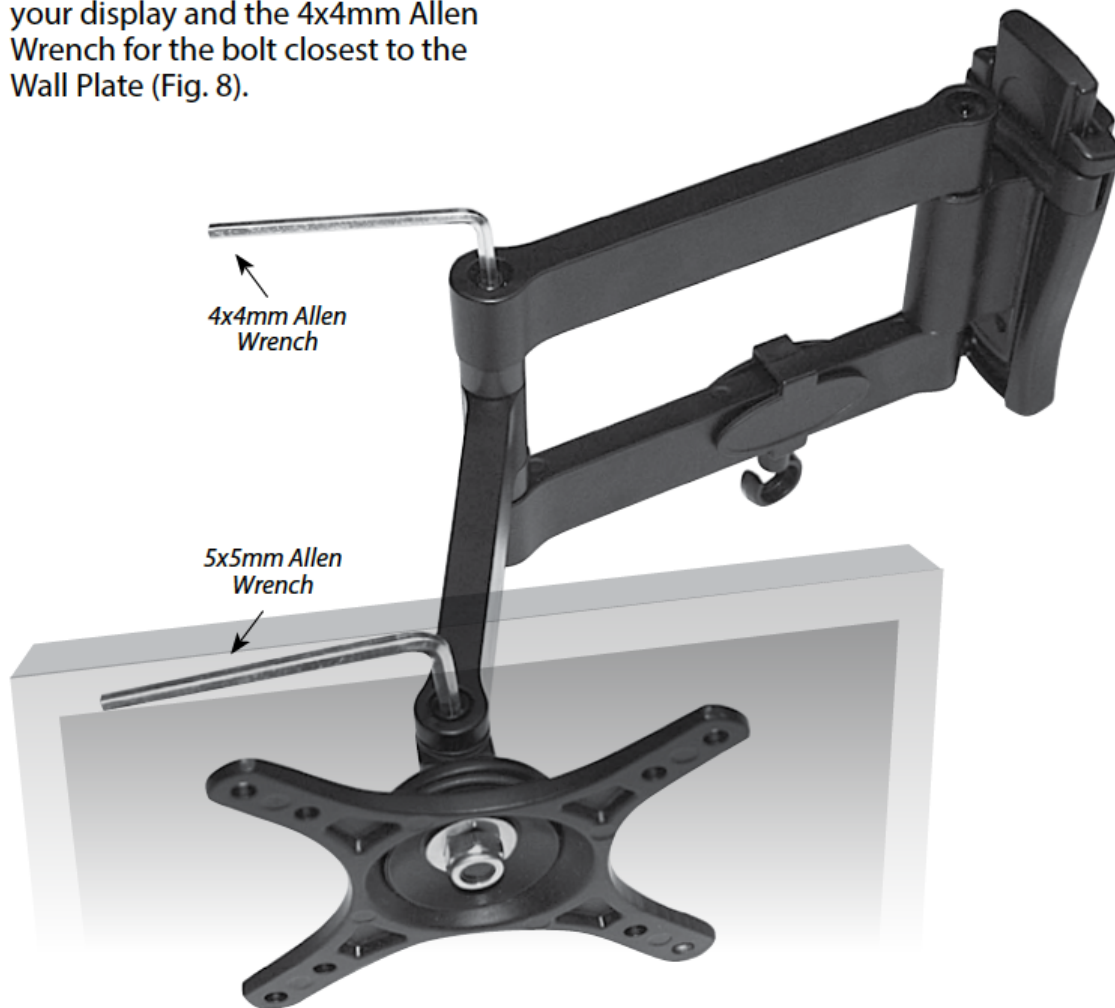


Fig. 8

 **Warning:**

Failure to follow these installation instructions or any other abuse, mistreatment, unreasonable use or neglect of the product shall constitute a waiver of all warranties, expressed and implied, and constitute a waiver of all claims of liability against IPST, its directors, officers, shareholders, parents, subsidiaries, affiliates, agents, customers and licensors, for any direct, indirect, special (including loss of revenue or income, pain and suffering, emotional distress, or similar damages), incidental, punitive, or consequential damages arising out of or resulting from the improper installation, abuse, mistreatment, unreasonable use or neglect regardless of whether such damages arise in contract, tort, under statute, in equity, at law, or otherwise.



Flat Panel Display Mounts **1-Year Limited Warranty**

IPSG warrants that this product is free from any defects in materials or workmanship within one year of purchase date. If such a defect is discovered within this warranty's limitations, IPSG agrees at its sole discretion to repair this product or to replace it with the same item or one of equal value, free of charge to the original purchaser. Please return the defective product to the store where it was purchased.

EXCLUSIONS:

This warranty does not apply to this product if the product has been modified, tampered with, subjected to abnormal conditions, installed incorrectly, misused or transferred to another consumer other than the original purchaser.

IPSG requires professional installation for all display mounts and does not accept damages or liability due to improper installation or installation within and to structures that cannot support the mount and/or display weight.

Product Registration

Please register this product at www.ipsgproducts.com

Click the "REGISTRATION" link button in the side menu. Enter your name, address and contact information. Continue to Step 2 and select your product type as "LCD/TV/Display Accessories". In Step 3 choose your model name and number in the drop down menu and place of purchase to complete your registration. Your personal contact information will remain private and will not be sold or given to another company.

If you have questions, please contact us through the side bar menu link on the www.ipsgproducts.com web page. Enter all of your product and personal information in the appropriate fields so we can best respond to your inquiry.